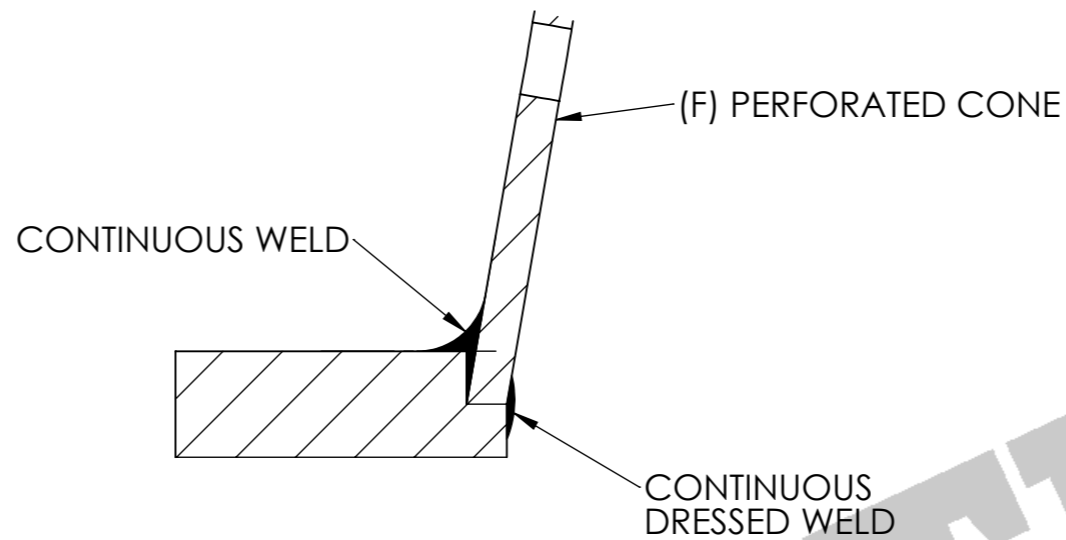
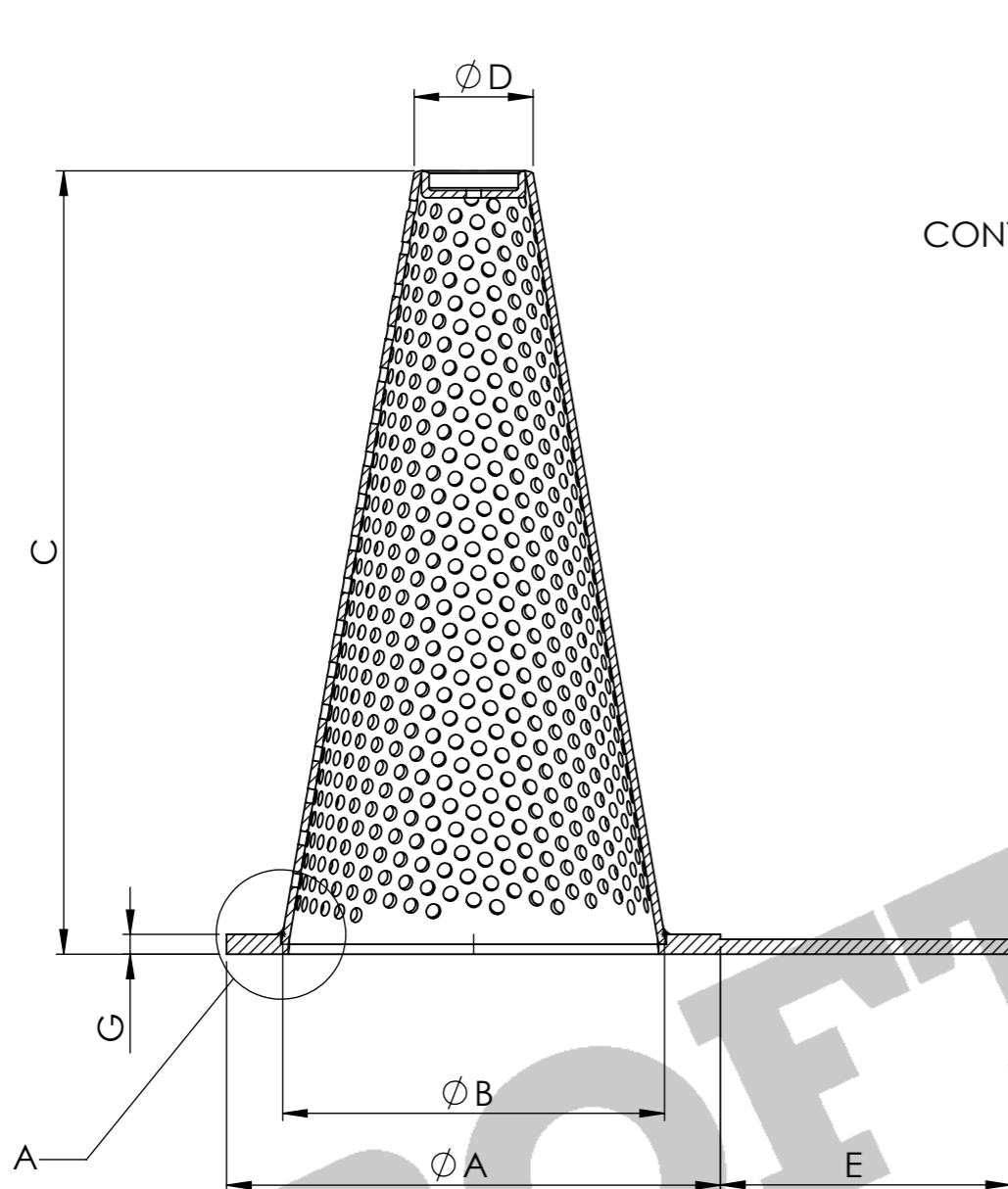
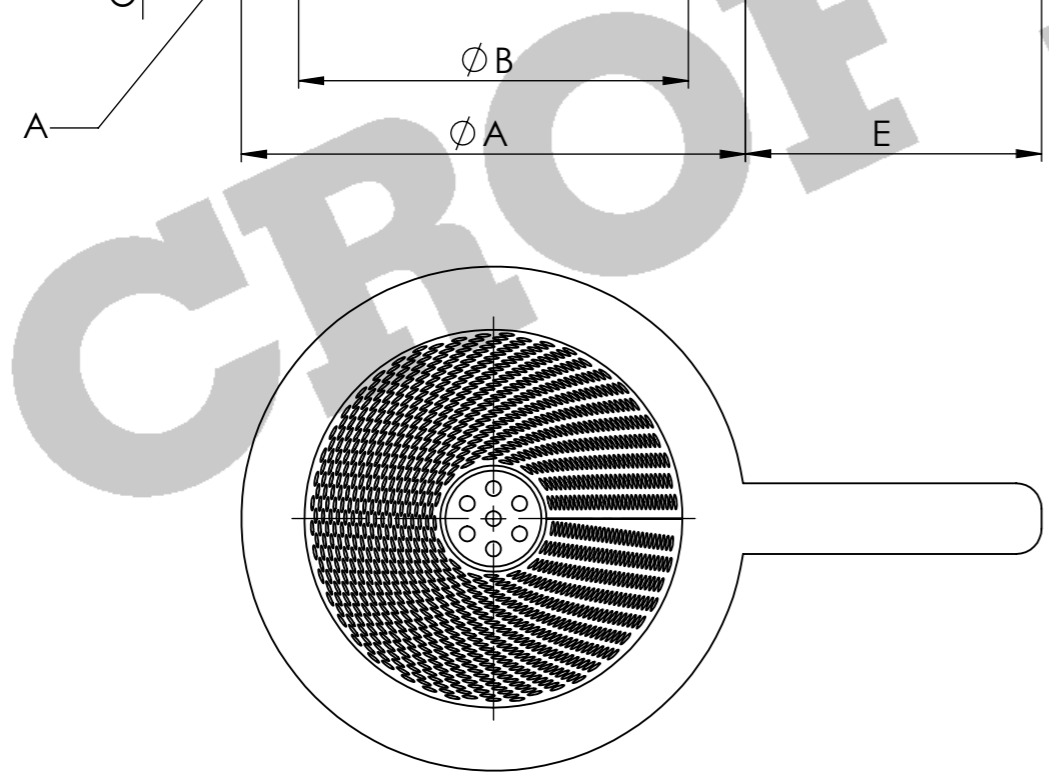
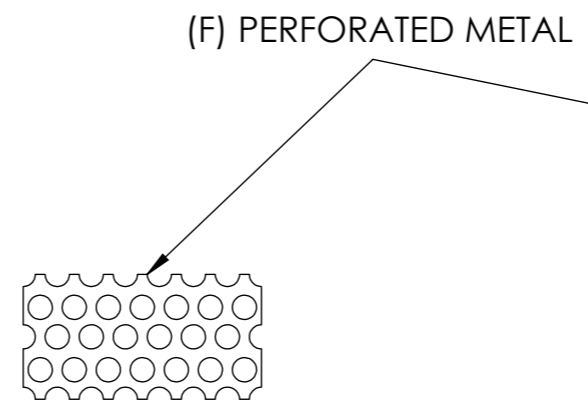


A	FLANGE OD	
B	CONE BOTTOM OD	
C	HEIGHT	
D	CONE TOP OD	
E	HANDLE LENGTH	
F	HOLE SIZE AND PITCH	
G	FLANGE THICKNESS	



DETAIL A  
SCALE 3.5 : 1



**CROFT FILTERS**  
www.filters.co.uk

THIRD ANGLE PROJECTION

PROPRIETARY AND CONFIDENTIAL

THE INFORMATION CONTAINED IN THIS DRAWING IS THE SOLE PROPERTY OF CROFT ENGINEERING SERVICES. ANY REPRODUCTION IN PART OR AS A WHOLE WITHOUT THE WRITTEN PERMISSION OF CROFT ENGINEERING SERVICES IS PROHIBITED.

MATERIAL:		
QTY		
	NAME	DATE
DRAWN	A.P.M	14/11/2017
CHK'D	D.T	14/11/2017
REV'D		

DO NOT SCALE DRAWING		ALL DIMENSIONS IN MM UNLESS OTHERWISE STATED	
TITLE: <b>CROFT PERFORATED STRAINER</b>			
DWG NO. <b>CF494-141117</b>		REVISION <b>0</b>	<b>A3</b>