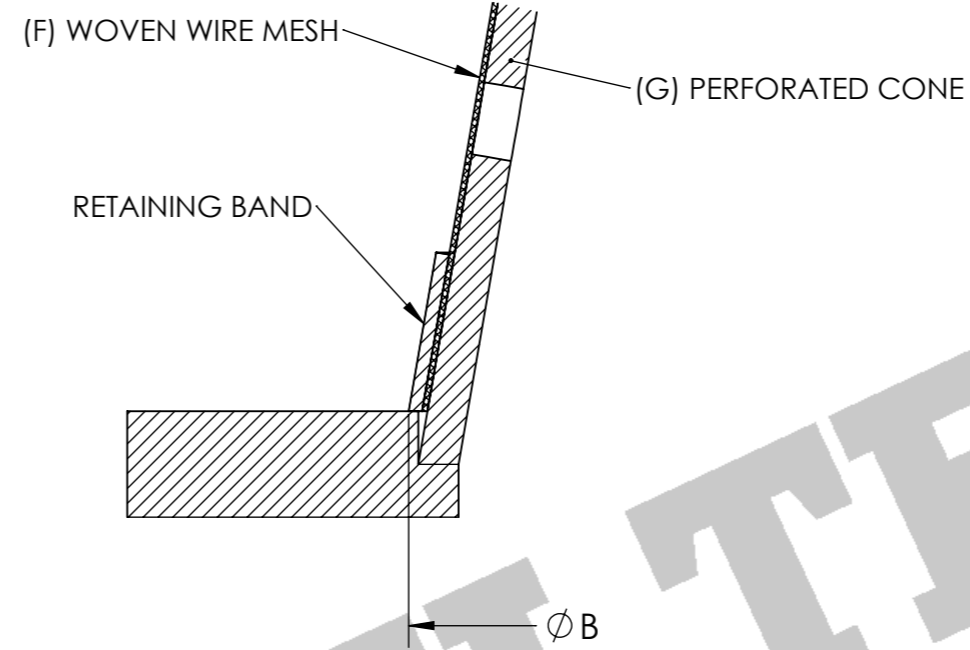
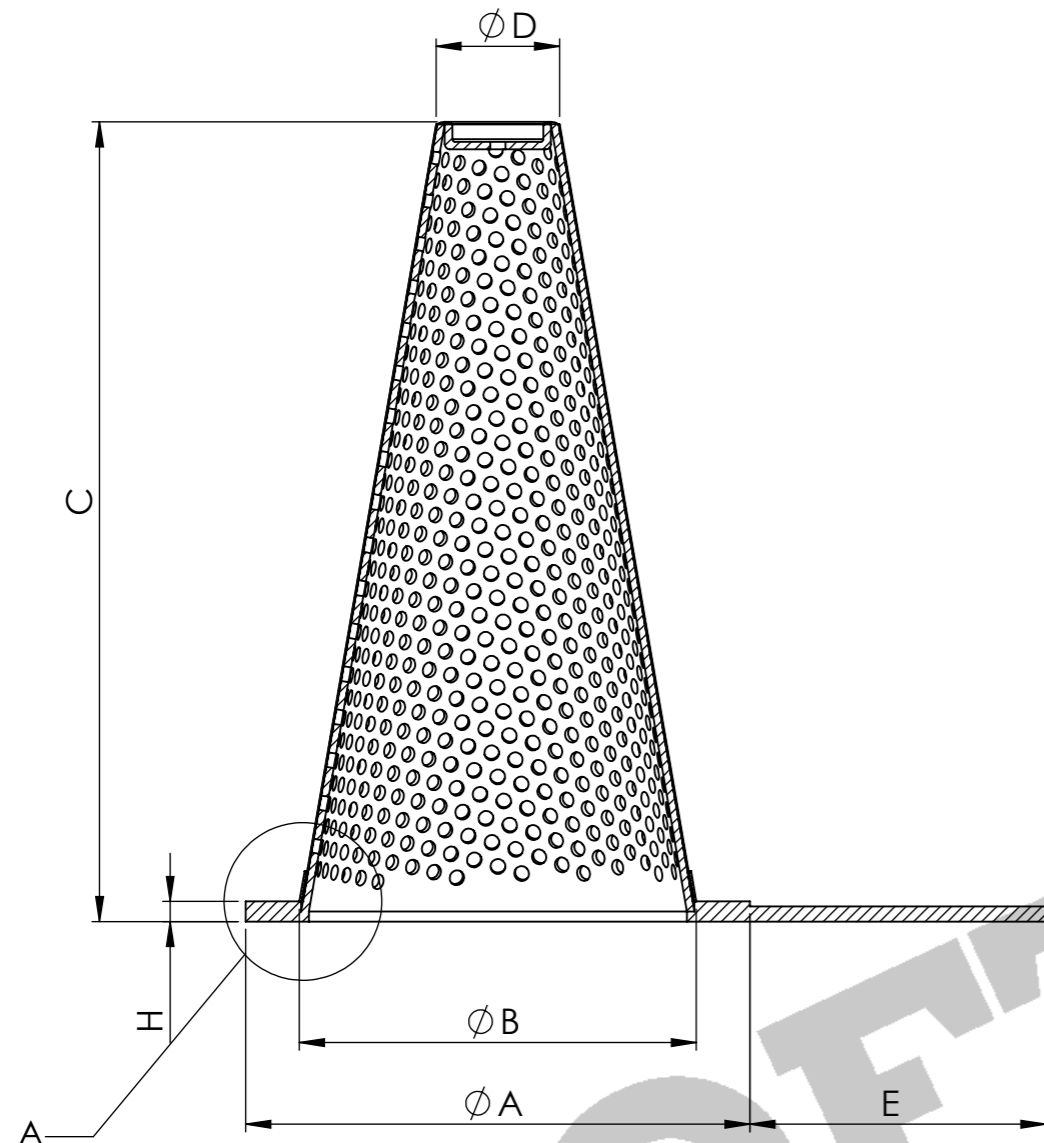
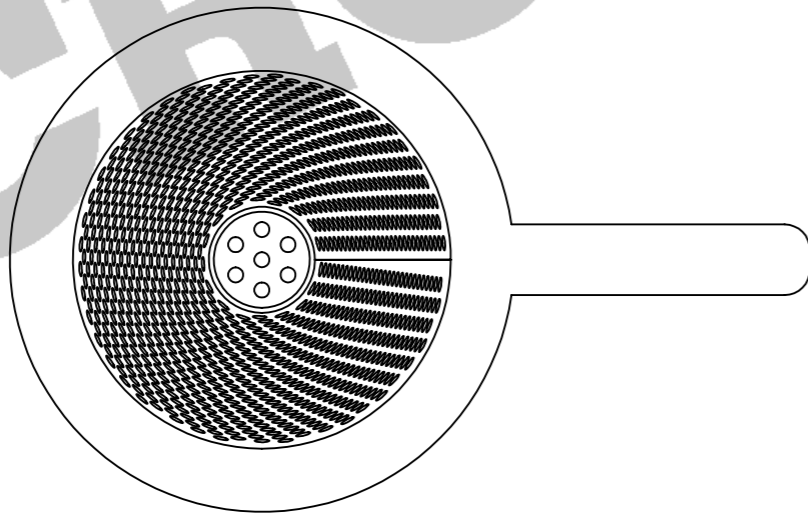
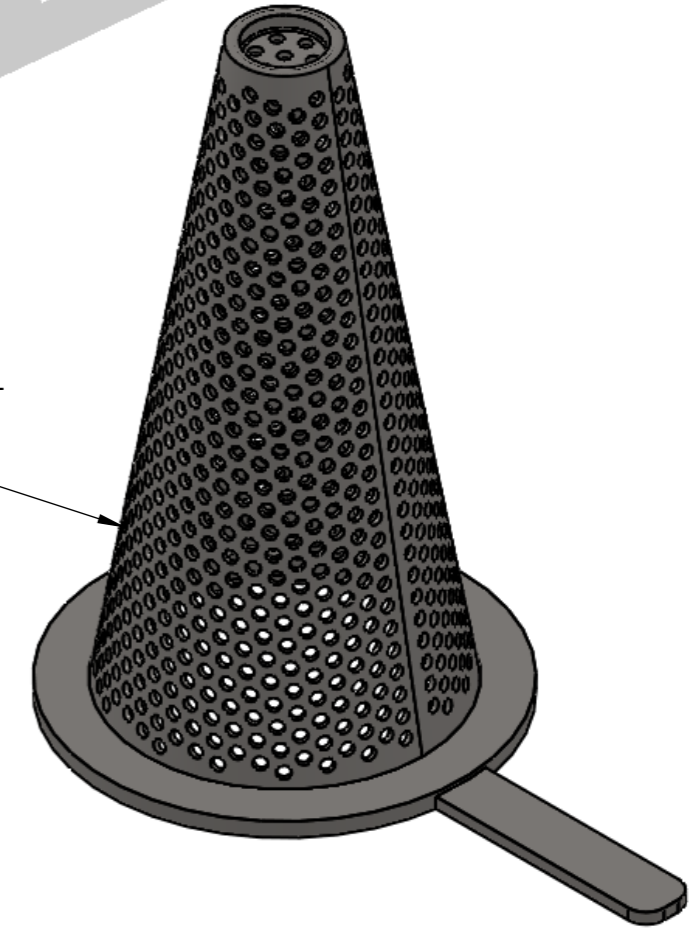
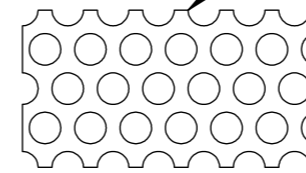



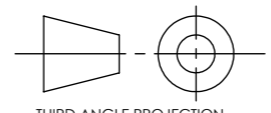
A	FLANGE OD	
B	RETAINING BAND OD	
C	HEIGHT	
D	CONE TOP OD	
E	HANDLE LENGTH	
F	WOVEN WIRE MESH	
G	HOLE SIZE AND PITCH	
H	FLANGE THICKNESS	



DETAIL A  
SCALE 3.5 : 1

(G) PERFORATED METAL



 <b>CROFT FILTERS</b> www.filters.co.uk	 THIRD ANGLE PROJECTION	DO NOT SCALE DRAWING		ALL DIMENSIONS IN MM UNLESS OTHERWISE STATED		
		TITLE: <h2 style="text-align: center;">CROFT CONE STRAINER - OUT TO IN</h2>				
PROPRIETARY AND CONFIDENTIAL  THE INFORMATION CONTAINED IN THIS DRAWING IS THE SOLE PROPERTY OF CROFT ENGINEERING SERVICES. ANY REPRODUCTION IN PART OR AS A WHOLE WITHOUT THE WRITTEN PERMISSION OF CROFT ENGINEERING SERVICES IS PROHIBITED.	MATERIAL:			DWG NO.	REVISION	A3
	QTY					
		NAME	DATE	CF492-091117	0	
	DRAWN	A.P.M	09/11/2017			
	CHK'D	D.T	09/11/2017			
REV'D						